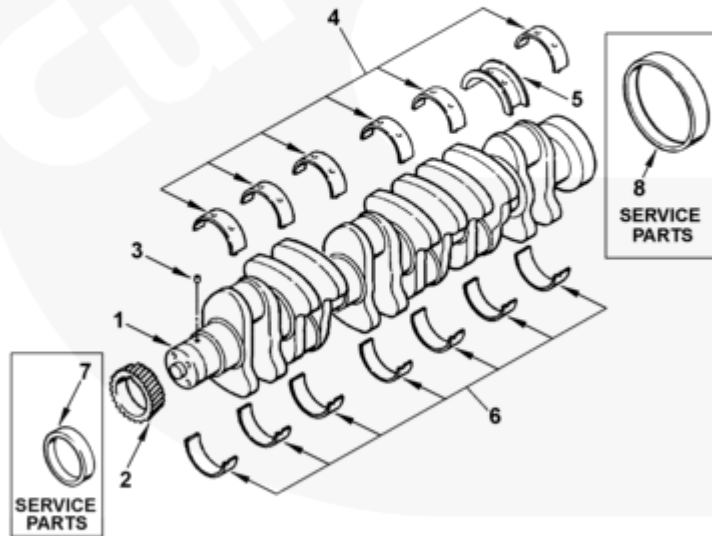




Parts Catalog - Option Detail

Electronic Parts Catalog - Option Detail				
Option	Group	Graphic	Film Card	Date
BP9787	01.02	ks900gb	T	09-DEC-93
Engines	4B3.9, 6A3.4, 6B5.9, B GAS INTERNATIONAL CM556, B4.5, B4.5 CM2350 B129B, B4.5 CM2350 B146C, B4.5 CM2350 B147B, B4.5 RGT, B4.5S, B5.9 G, B5.9 GAS PLUS CM556, B5.9 LPG, B5.9 LPG PLUS CM556, B6.7 CM2350 B121B, B6.7 CM2350 B135B, B6.7 CM2350 B136C, B6.7 CM2350 B148B, B6.7 G CMOH6.0 B125, B6.7N CM2380 B150B, B6.7S, F3.8 CM2350 F120B, F3.8 CM2350 F128C, F3.8 CM2350 F132B, F3.8 F102, G3.9, G5.9, G5.9 CM558, ISB (CHRYSLER), ISB CM2150, ISB CM2150 E, ISB CM550, ISB CM850, ISB/ISD4.5 CM2150 B119, ISB/ISD4.5 CM2150 SN, ISB/ISD6.7 CM2150 B120, ISB/ISD6.7 CM2150 SN, ISB/ISD6.7 CM2880 B126, ISB3.9 CM2220 B107, ISB4.5 CM2150, ISB5.9G CM2180, ISB6.7 2010 DCX PICKUP, ISB6.7 2013 DCX CHASSIS CAB, ISB6.7 CM2150 SQ, ISB6.7 CM2250, ISB6.7 CM2350 B101, ISB6.7 CM2350 B103, ISB6.7 CM2350 B142, ISB6.7 CM2670 B153B, ISB6.7 G CM2180 B118, ISBE CM2150, ISBE CM800, ISBE2/ISBE3 CM850, ISBE4 CM850, ISD4.5 CM2150, ISD6.7 CM2880 D101, ISF2.8 CM2220, ISF2.8 CM2220 AN, ISF2.8 CM2220 EC, ISF2.8 CM2220 ECF2, ISF2.8 CM2220 F101, ISF2.8 CM2220 F117, ISF2.8 CM2220 F122, ISF2.8 CM2220 F126, ISF2.8 CM2220 F129, ISF2.8 CM2220 IAN, ISF3.8 CM2220, ISF3.8 CM2220 AN, ISF3.8 CM2220 F103, ISF3.8 CM2220 F110, ISF3.8 CM2220 F116, ISF3.8 CM2220 F134B, ISF3.8 CM2220 IAN, ISF3.8 CM2350 F109, ISF4.5 CM2220 F123, ISG11 CM2880 G106, ISG11 CM2880 G108, ISG12 CM2880 G107, ISG12 CM2880 G109, ISG12 G CMOH6.0 G111, QSB3.9 30 CM550, QSB3.9 CM2880 B138, QSB4.5 30 CM550, QSB4.5 CM2150 B108, QSB4.5 CM2250 B131, QSB4.5 CM2250 EC, QSB4.5 CM2350 B106, QSB4.5 CM2350 B122			



ks900gb

[SMALL](#) | [MEDIUM](#) | [LARGE](#)

Cart	Ref No	Part Number	Part Description	Required	Remarks
View My Cart					
		BP9787	Crankshaft And Bearings		Crankshaft and Bearings
<input type="checkbox"/>		3908032	Assembly Crankshaft	1	6B, 6BT, 6BTA 5.9
<input type="checkbox"/>	1	3907804	Engine Crankshaft	1	NOTE: Replaces (3905619)
<input type="checkbox"/>	2	3919680	Crankshaft Gear	1	
<input type="checkbox"/>	3	3904483	Pin Dowel	1	
<input type="checkbox"/>		3802070	Main Bearing (Standard) Set	1	
	4	3901090	Main Bearing	6	

<input type="checkbox"/>					
	5	3906230	Crankshaft Thrust Bearing	1	Standard
<input type="checkbox"/>	6	3901150	Main Bearing	7	
<input type="checkbox"/>		3802071	Main Bearing (.010) Set	1	0.25 mm Oversize
<input type="checkbox"/>	4	3901091	Main Bearing	6	
<input type="checkbox"/>	5	3906231	Crankshaft Thrust Bearing	1	0.25 mm Oversize
<input type="checkbox"/>	6	3901151	Main Bearing	7	
<input type="checkbox"/>		3802072	Main Bearing (.020) Set	1	0.50 mm Oversize
<input type="checkbox"/>	4	3901092	Main Bearing	6	
<input type="checkbox"/>	5	3906232	Crankshaft Thrust Bearing	1	0.50 mm Oversize
<input type="checkbox"/>	6	3901152	Main Bearing	7	
<input type="checkbox"/>		3802073	Main Bearing (.030) Set	1	0.75 mm Oversize
<input type="checkbox"/>	4	3901093	Main Bearing	6	
<input type="checkbox"/>	5	3906233	Crankshaft Thrust Bearing	1	0.75 mm Oversize
<input type="checkbox"/>	6	3901153	Main Bearing	7	
<input type="checkbox"/>		3802074	Main Bearing (.040) Set	1	1.00 mm Oversize
<input type="checkbox"/>	4	3901094	Main Bearing	6	
<input type="checkbox"/>	5	3906234	Crankshaft Thrust Bearing	1	1.00 mm Oversize
<input type="checkbox"/>	6	3901154	Main Bearing	7	
<input type="checkbox"/>		3802082	Crankshaft Thrust Bearing	1	0.50 mm Oversize
<input type="checkbox"/>	5	3906452	Crankshaft Thrust Bearing	1	0.50 mm Oversize
<input type="checkbox"/>	6	3901152	Main Bearing	1	
<input type="checkbox"/>		3802084	Crankshaft Thrust Bearing	1	1.00 mm Oversize
<input type="checkbox"/>	5	3906454	Crankshaft Thrust Bearing	1	1.00 mm Oversize

<input type="checkbox"/>	6	3901154	Main Bearing	1	
<input type="checkbox"/>	7	3906080	Wear Sleeve	A/R	Front
<input type="checkbox"/>	8	3906081	Wear Sleeve	A/R	Rear

© 2019 Cummins Inc., Box 3005, Columbus, IN 47202-3005 U.S.A.
 Terms of Use and Disclaimers | Recommended System Requirements
 Need Assistance? Please click on the Contact Us button in the top right corner of any page.